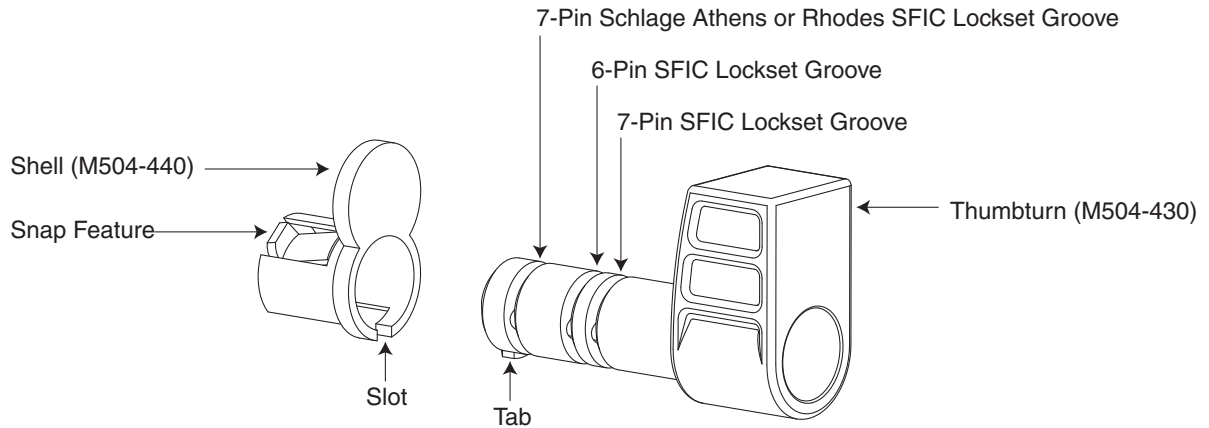


## Disposable Construction Core Installation Sheet

P513-257

### For Small Format Interchangeable Cores (SFIC)

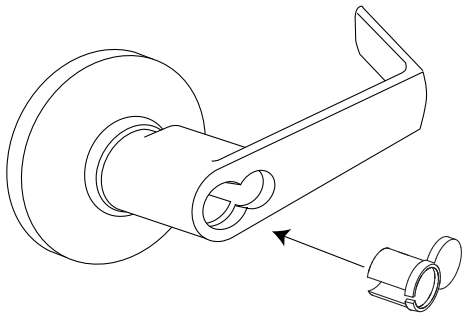


### Installation

1

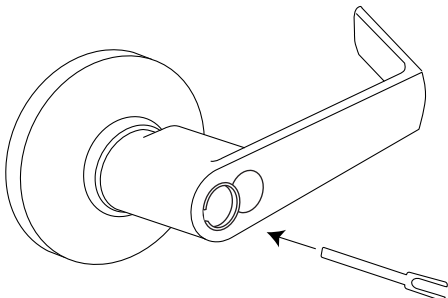
#### 1. Insert SHELL into SFIC Lockset.

**NOTE:** Make sure the hollow part of the shell is over the lockset driver.



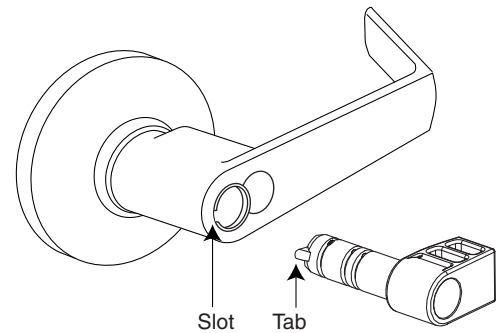
#### 2. For Non-Retained Driver Systems ONLY.

Insert driver into lockset.



#### 3. Insert THUMBTURN.

- Align thumbturn tab with slot in shell.
- Push thumbturn into shell making sure the thumbturn through holes align with the lockset driver.



#### 4. Rotate THUMBTURN.

Rotate thumbturn to simulate SFIC operation.

### Removal

2

#### Pull THUMBTURN Out of Shell.

Shell should slide out along with thumbturn.